



FEATURES

Ø50 Mechanical wired tubular motor

- **Technology:** Mechanical wired
- **Motor Head:** Star
- **Nr of end limits:** 2
- **Adjustment type:** PA (Progressive Adjustment)
- **End limits setting tool:** flexible thumbscrew driver
- **Basic crown for tube Ø:**
- **Nominal voltage:** 230V~ / 50Hz
- **Thermal time:** 4 minutes in accordance with EN 60335-2-97
- **Obstacle detection:** NO
- **Freeze detection:** NO
- **System of protection:** IP 44
- **Insulation class:** I
- **Temperature working range:** - 20°C to + 70°C
- **Activation:** by button
- **Parallel connection:** YES with QMC4
- **Radio compatibility:** YES with radio receivers 433,42MHz
- **Transmission frequency:** /
- **Coding:**
- **Memory capacity:**
- **Range:**
- **Made in:** Italy
- **Certifications:** CE - CMIM - NF - VDE



HEAD AESTHETICS

Plastic cap color:
GREY

Logo on the cap:
NO



TUBE AESTHETICS

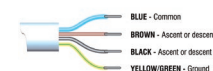
Tube color:
RAL 5010 Gentian Blue
FE360 UNI EN 10305-3-2010



CABLE TYPE:

Unpluggable

H05 VVF 4 x 0,75 L. 2,5 m
White



CABLE CONNECTOR

NO

**NOT INCLUDED
IN THIS CONFIGURATION**

COMPLIANCE

EN 62233
EN 60 335-2-97
EN 55014-2:2015
EN 55014-1:2006 + A1:2009 + A2:2011

DIMENSIONS



TECHNICAL DATA

REFERENCE	CUSTOMER REFERENCE	DESIGNATION	NOMINAL TORQUE	NOMINAL SPEED	NOISE LEVEL	RATED POWER	RATED CURRENT	CAPACITY OF THE LSU	LENGTH	MOTOR WEIGHT	FORECAST ANNUAL VOLUMES
9800406	/	AZ D50 W 6/17	6 Nm	17 Rpm	47 dBA	100 W	0,43 A	28 shaft turns	526 mm	1,68 Kg	500
9800407	/	AZ D50 W 10/17	10 Nm	17 Rpm	47 dBA	120 W	0,52 A	28 shaft turns	526 mm	1,72 Kg	1500
9800408	/	AZ D50 W 20/17	20 Nm	17 Rpm	53 dBA	190 W	0,83 A	28 shaft turns	576 mm	1,89 Kg	1000
9800409	/	AZ D50 W 30/17	30 Nm	17 Rpm	55 dBA	240 W	1,04 A	28 shaft turns	576 mm	1,98 Kg	1000
9800410	/	AZ D50 W 40/17	40 Nm	17 Rpm	57 dBA	240 W	1,04 A	28 shaft turns	576 mm	1,98 Kg	500
9800411	/	AZ D50 W 50/12	50 Nm	12 Rpm	55 dBA	240 W	1,04 A	28 shaft turns	576 mm	1,98 Kg	500

AZZURRA

FEATURES

Ø50 Radio tubular motor mono directional 433,42MHz

- **Technology:** Radio mono directional 433,42MHz
- **Motor Head:** Star
- **Nr of end limits:** 2 + intermediate position
- **Adjustment type:** Electronic
- **End limits setting tool:** remote control
- **Basic crown for tube Ø:**
- **Nominal voltage:** 230V~ / 50Hz
- **Thermal time:** 4 minutes in accordance with EN 60335-2-97
- **Obstacle detection:** NO
- **Freeze detection:** YES
- **System of protection:** IP 44
- **Insulation class:** I
- **Temperature working range:** - 20°C to + 70°C
- **Activation:** by remote control 433,42MHz
- **Parallel connection:** YES
- **Radio compatibility:** YES with controls 433,42 MHz
- **Transmission frequency:** 433,42MHz
- **Coding:** Rolling code 16 million of possibilities
- **Memory capacity:** 12 remote controls - 1 sensor
- **Range:** 20 m with 2 reinforced concrete walls to be passed through
- **Made in:** Italy
- **Certifications:** CE - CMIM - NF - VDE



HEAD AESTHETICS

Plastic cap color:
GREY

Logo on the cap:
NO



TUBE AESTHETICS

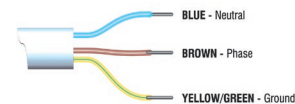
Tube color:
RAL 5010 Gentian Blue
FE360 UNI EN 10305-3-2010



CABLE TYPE:

Unpluggable

H05 VVF 3 x 0,75 L. 3 m -
White



CABLE CONNECTOR

NO

**NOT INCLUDED
IN THIS CONFIGURATION**

COMPLIANCE

EN 62233
EN 60 335-2-97
EN 301 489-3 V1.6.1:2013
EN 301 489-1 V1.9.2:2011
EN 300220-1 V3.1.1:2017
EN 300220-2 V3.1.1:2017
EN 55014-2:2015
EN 55014-1:2006 + A1:2009 + A2:2011

DIMENSIONS



TECHNICAL DATA

REFERENCE	CUSTOMER REFERENCE	DESIGNATION	NOMINAL TORQUE	NOMINAL SPEED	NOISE LEVEL	RATED POWER	RATED CURRENT	CAPACITY OF THE LSU	LENGTH	MOTOR WEIGHT	FORECAST ANNUAL VOLUMES
9800412	/	AZ D50 R 6/17	6 Nm	17 Rpm	47 dBA	100 W	0,43 A	infinite	576 mm	2,14 Kg	700
9800413	/	AZ D50 R 10/17	10 Nm	17 Rpm	47 dBA	120 W	0,52 A	infinite	576 mm	1,95 Kg	1000
9800414	/	AZ D50 R 20/17	20 Nm	17 Rpm	53 dBA	190 W	0,83 A	infinite	596 mm	2,09 Kg	500
9800415	/	AZ D50 R 30/17	30 Nm	17 Rpm	55 dBA	240 W	1,04 A	infinite	631 mm	2,22 Kg	300
9800416	/	AZ D50 R 40/17	40 Nm	17 Rpm	57 dBA	240 W	1,04 A	infinite	631 mm	2,22 Kg	300
9800417	/	AZ D50 R 50/12	50 Nm	12 Rpm	55 dBA	240 W	1,04 A	infinite	631 mm	2,22 Kg	200



FEATURES

Ø60 Radio tubular motor mono directional 433,42MHz

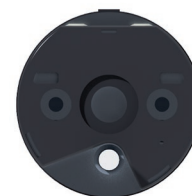
- **Technology:** Radio mono directional 433,42MHz
- **Motor Head:** Round
- **Nr of end limits:** 2 + intermediate position
- **Adjustment type:** Electronic
- **End limits setting tool:** remote control
- **Basic crown for tube Ø:**
- **Nominal voltage:** 230V~ / 50Hz
- **Thermal time:** 4 minutes in accordance with EN 60335-2-97
- **Obstacle detection:** NO
- **Freeze detection:** YES
- **System of protection:** IP 44
- **Insulation class:** I
- **Temperature working range:** - 20°C to + 70°C
- **Activation:** by remote control 433,42MHz
- **Parallel connection:** YES
- **Radio compatibility:** YES with controls 433,42MHz
- **Transmission frequency:** 433,42MHz
- **Coding:** Rolling code 16 million of possibilities
- **Memory capacity:** 12 remote controls - 1 sensor
- **Range:** 20 m with 2 reinforced concrete walls to be passed through
- **Made in:** Poland
- **Certifications:** CE - CMIM - NF - VDE



HEAD AESTHETICS

Plastic cap color:
GREY

Logo on the cap:
NO



TUBE AESTHETICS

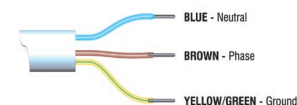
Tube color:
RAL 5010 Gentian Blue
FE360 UNI EN 10305-3-2010



CABLE TYPE:

Unpluggable

H05 VVF 3 x 0,75 L. 3 m -
White



CABLE CONNECTOR

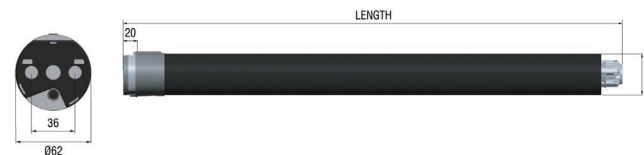
NO

**NOT INCLUDED
IN THIS CONFIGURATION**

COMPLIANCE

EN 62233
EN 60 335-2-97
EN 301 489-3 V1.6.1:2013
EN 301 489-1 V1.9.2:2011
EN 300220-1 V3.1.1:2017
EN 300220-2 V3.1.1:2017
EN 55014-2:2015
EN 55014-1:2006 + A1:2009 + A2:2011

DIMENSIONS



TECHNICAL DATA

REFERENCE	CUSTOMER REFERENCE	DESIGNATION	NOMINAL TORQUE	NOMINAL SPEED	NOISE LEVEL	RATED POWER	RATED CURRENT	CAPACITY OF THE LSU	LENGTH	MOTOR WEIGHT	FORECAST ANNUAL VOLUMES
9800420	/	AZ D60 R 80/12	80 Nm	12 Rpm	66 dBA	290 W	1,26 A	infinite	695 mm	4,55 Kg	300
9800421	/	AZ D60 R 120/12	120 Nm	12 Rpm	65 dBA	400 W	1,74 A	infinite	695 mm	4,80 Kg	300



FEATURES

Ø60 Mechanical wired tubular motor

- **Technology:** Mechanical wired
- **Motor Head:** Round
- **Nr of end limits:** 2
- **Adjustment type:** PA (Progressive Adjustment)
- **End limits setting tool:** flexible thumbscrew driver
- **Basic crown for tube Ø:**
- **Nominal voltage:** 230V~ / 50Hz
- **Thermal time:** 4 minutes in accordance with EN 60335-2-97
- **Obstacle detection:** NO
- **Freeze detection:** NO
- **System of protection:** IP 44
- **Insulation class:** I
- **Temperature working range:** - 20°C to + 70°C
- **Activation:** by button
- **Parallel connection:** YES with QMC4
- **Radio compatibility:** YES with radio receivers 433,42MHz
- **Transmission frequency:** /
- **Coding:**
- **Memory capacity:**
- **Range:**
- **Made in:** Poland
- **Certifications:** CE - CMIM - NF - VDE



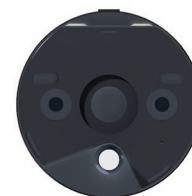
COMPLIANCE

EN 62233
EN 60 335-2-97
EN 55014-2:2015
EN 55014-1:2006 + A1:2009 + A2:2011

HEAD AESTHETICS

Plastic cap color:
GREY

Logo on the cap:
NO



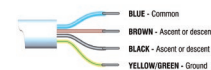
TUBE AESTHETICS

Tube color:
RAL 5010 Gentian Blue
FE360 UNI EN 10305-3-2010



CABLE TYPE:
Unpluggable

H05 RRF 4 x 0,75 L. 2,5 m
White



CABLE CONNECTOR
NO

**NOT INCLUDED
IN THIS CONFIGURATION**

DIMENSIONS



TECHNICAL DATA

REFERENCE	CUSTOMER REFERENCE	DESIGNATION	NOMINAL TORQUE	NOMINAL SPEED	NOISE LEVEL	RATED POWER	RATED CURRENT	CAPACITY OF THE LSU	LENGTH	MOTOR WEIGHT	FORECAST ANNUAL VOLUMES
9800418	/	AZ D60 W 80/12	80 Nm	12 Rpm	65 dBA	290 W	1,26 A	23 shaft turns	695 mm	4,45 Kg	300
9800419	/	AZ D60 W 120/12	120 Nm	12 Rpm	65 dBA	400 W	1,74 A	23 shaft turns	695 mm	4,70 Kg	300

AZZURRA

CUSTOMER: SHADOW Shades & More
BRAND: AZZURRA
ADDRESS 1: Office 106, First Floor Trivium Sqr Bld
ADDRESS 2: Northern 90 Street , New Cairo
ZIP CODE: 11511
CITY: Cairo
COUNTRY: EG

PHONE: +201154220044
EMAIL: ahmed.fahmy@shadoweg.com
WEBSITE: www.ShadowShades.com

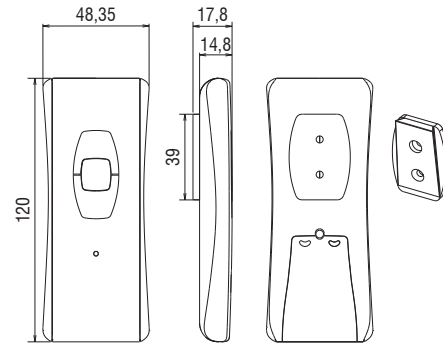
FEATURES

Remote control mono directional 433,42MHz

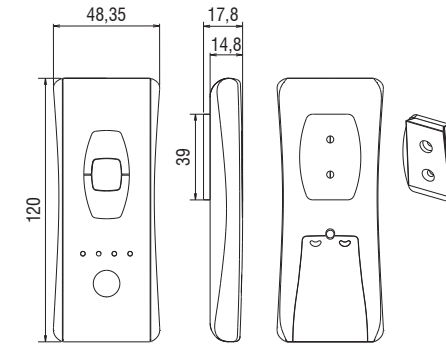
- **Technology:** Radio mono directional 433,42MHz
- **Transmission frequency:** 433,42MHz
- **Range:** 20 m with 2 support walls in between
- **Certi cations:** CE
- **Made in Tunisia**

DIMENSIONS

AZ 1CH



AZ 5CH



TECHNICAL DATA

REFERENCE	CUSTOMER REFERENCE	DESIGNATION	COLOUR	NR. CHANNELS	INSULATION CLASS	PROTECTION DEGREE	POWER SUPPLY OR BATTERY	TEMPERATURE WORKING RANGE	DIMENSIONS (LxWxH)	WEIGHT	MADE IN	FORECAST ANNUAL VOLUMES
9800422	/	AZ 1CH	White	1	III	IP 30	3V lithium battery CR2430	0° C / + 40°C		80 gr.	Tunisia	1000
9800423	/	AZ 5CH	White	5	III	IP 30	3V lithium battery CR2430	0° C / + 40°C		80 gr.	Tunisia	500